



DATA SHEET

Ultra-micro Current Transformer

PN: CMCT118F

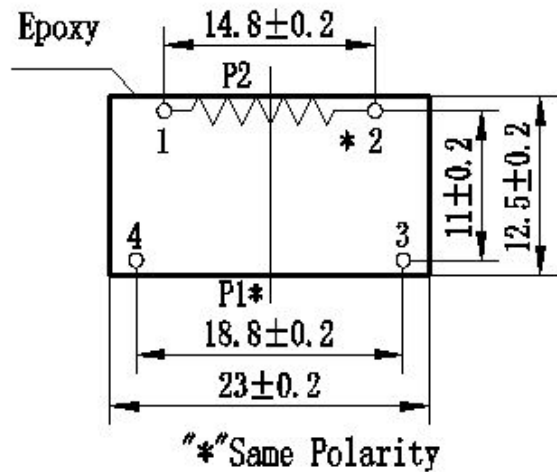
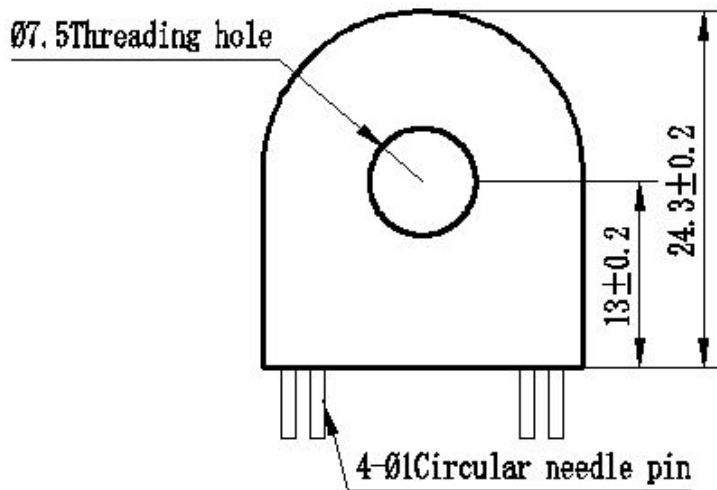
IPN=5A

Feature & Applications

- Small size
- High accuracy
- Good consistency.
- Used for current and power measurement



Structural Parameter :



Remarks: 1 & 2 pin: secondary output.
3 & 4 pin: empty pin.

Front view

Bottom view

The Main Technical Parameters :

Model	CMCT118F
Rated input current	5A
Rated output current	5mA
Turns ratio	1000:1
Phase angle error	≤15' (Input 5A, sampling resistor 50Ω)
Linear range	0~30A (sampling resistor 50Ω)
Linearity	≤0.3% (5%dot~120%dot)



Cheemi Technology Co., Ltd

Permissible error	-0.3%≤ f ≤+0.3% (Input 5A, sampling resistor 50Ω)
Application	Precise measurement of current and power
Isolation voltage	4500V
Encapsulation	Epoxy
Installation	PCB mounting (Pin length>3mm)
Operating temperature	-40°C~+85°C

Direction For Use:

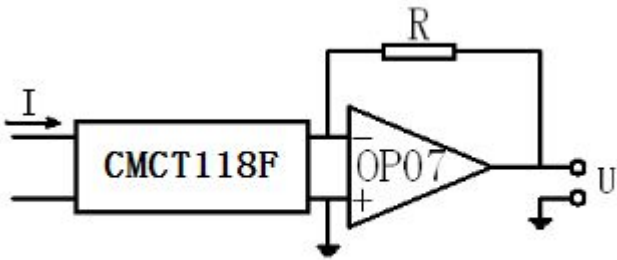
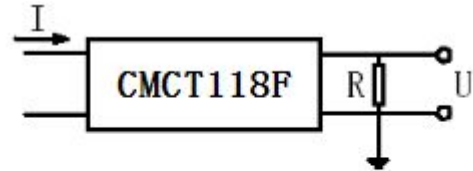


Figure I



$$U = \frac{I}{1000} \cdot R$$

I: input current
R: sampling resistor
U: sampling voltage

Figure II

1. CMCT118F used for measurement. Typical usage is shown in Figure 1 and Figure 2.
R is a sampling resistor.
2. Empty pin can not be grounded.

